



Manufactured & Marketed By :

**FRISTON GAS SPRING LLP**

R.S. No.635/3, Shed No.1/A, Urja Industrial - 4,  
Nr. Weldor Engineering, At-Veraval, Ta-Kotda Sangani,  
Rajkot-360026, Gujarat - India.

**YASH LADANI**

+91 99254 22091

yl.friston@gmail.com

**PRADIP DEDAKIYA**

+91 99251 64236

pd.friston@gmail.com

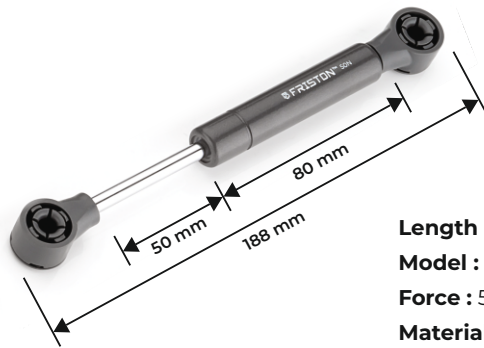
Design@Artwings #+91 94846 95929



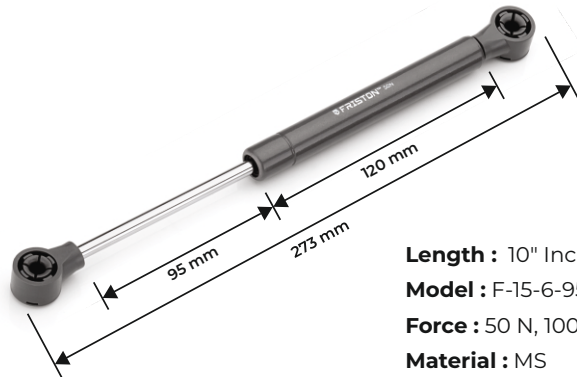
**FRISTON™**  
GAS SPRING



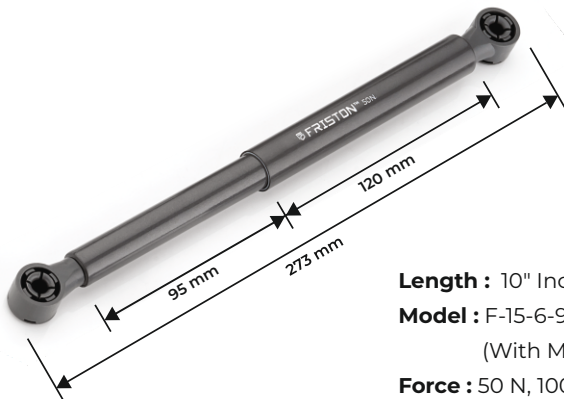
Your **HAPPINESS**, is our **MOTTO**.



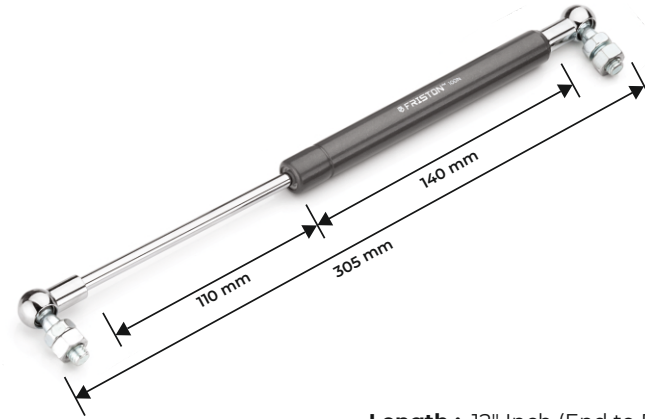
**Length :** 7" Inch  
**Model :** F-15-6-50-80-AM6-AM6-50N  
**Force :** 50 N, 100 N.  
**Material :** MS  
**Specification :** 15 mm Diameter Tube  
 6 mm Diameter Rod



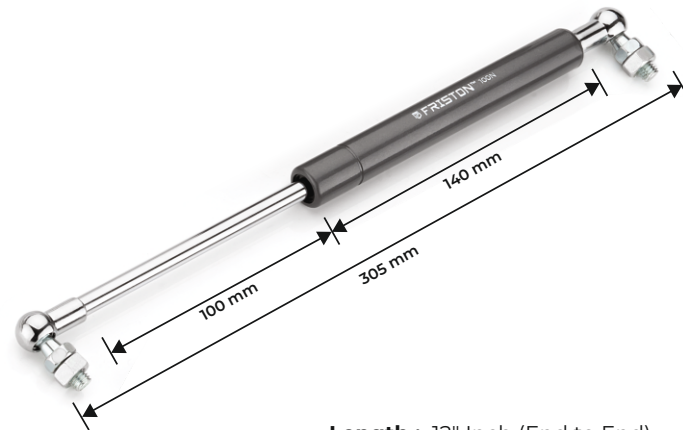
**Length :** 10" Inch  
**Model :** F-15-6-95-120-AM6-AM6-50N  
**Force :** 50 N, 100 N, 150 N, 200 N, 250 N.  
**Material :** MS  
**Specification :** 15 mm Diameter Tube  
 6 mm Diameter Rod



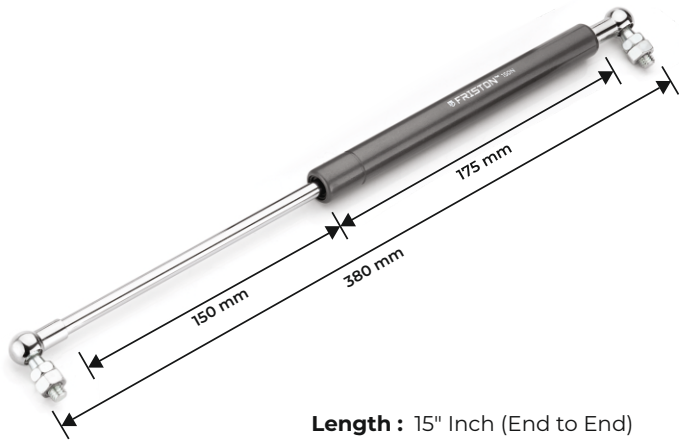
**Length :** 10" Inch  
**Model :** F-15-6-95-120-AM6-AM6-50N  
 (With Metal Protective cover)  
**Force :** 50 N, 100 N, 150 N, 200 N, 250 N.  
**Material :** MS  
**Specification :** 15 mm Diameter Tube  
 6 mm Diameter Rod



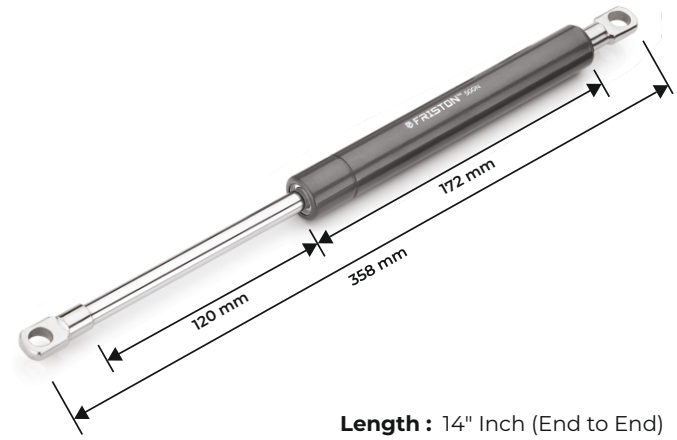
**Length :** 12" Inch (End to End)  
**Model :** F-15-6-110-140-CM6-CM6-100N  
**Force :** 50 N, 100 N, 150 N, 200 N, 250 N.  
**Material :** MS  
**Specification :** 15 mm Diameter Tube  
 6 mm Diameter Rod



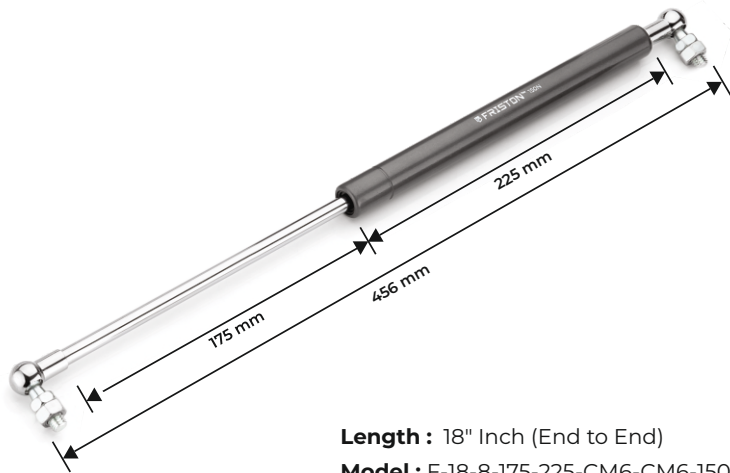
**Length :** 12" Inch (End to End)  
**Model :** F-18-8-100-140-CM6-CM6-100N  
**Force :** 100 N, 150 N, 200 N, 250 N, 300 N, 350 N.  
**Material :** MS  
**Specification :** 18 mm Diameter Tube  
 8 mm Diameter Rod



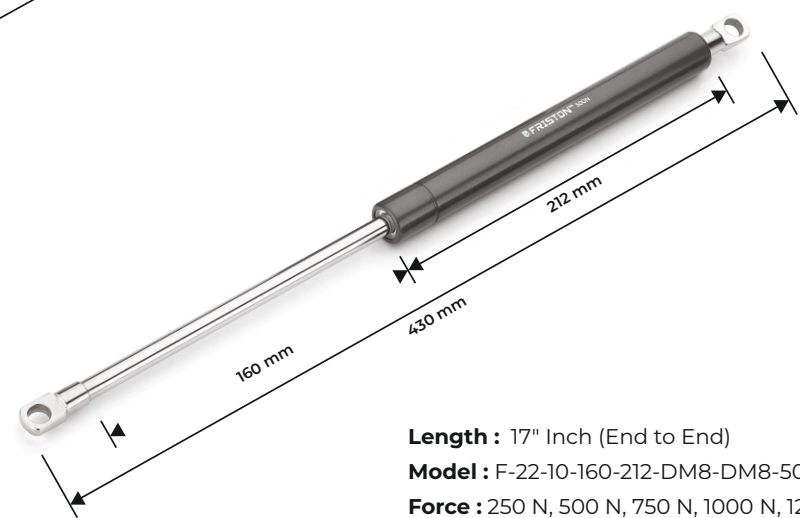
**Length :** 15" Inch (End to End)  
**Model :** F-18-8-150-175-CM6-CM6-150N  
**Force :** 100 N, 150 N, 200 N, 250 N, 300 N, 350 N.  
**Material :** MS  
**Specification :** 18 mm Diameter Tube  
 8 mm Diameter Rod



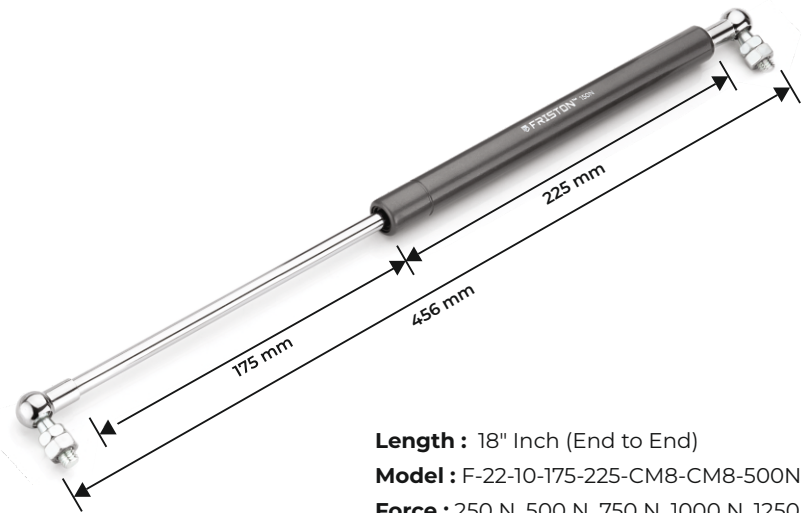
**Length :** 14" Inch (End to End)  
**Model :** F-22-10-120-172-DM8-DM8-500N  
**Force :** 250 N, 500 N, 750 N, 1000 N, 1250 N.  
**Material :** MS  
**Specification :** 22 mm Diameter Tube  
 10 mm Diameter Rod



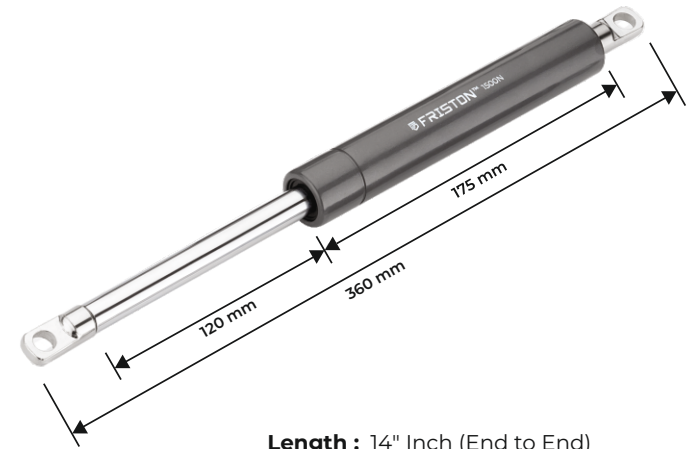
**Length :** 18" Inch (End to End)  
**Model :** F-18-8-175-225-CM6-CM6-150N  
**Force :** 100 N, 150 N, 200 N, 250 N, 300 N, 350 N.  
**Material :** MS  
**Specification :** 18 mm Diameter Tube  
 8 mm Diameter Rod



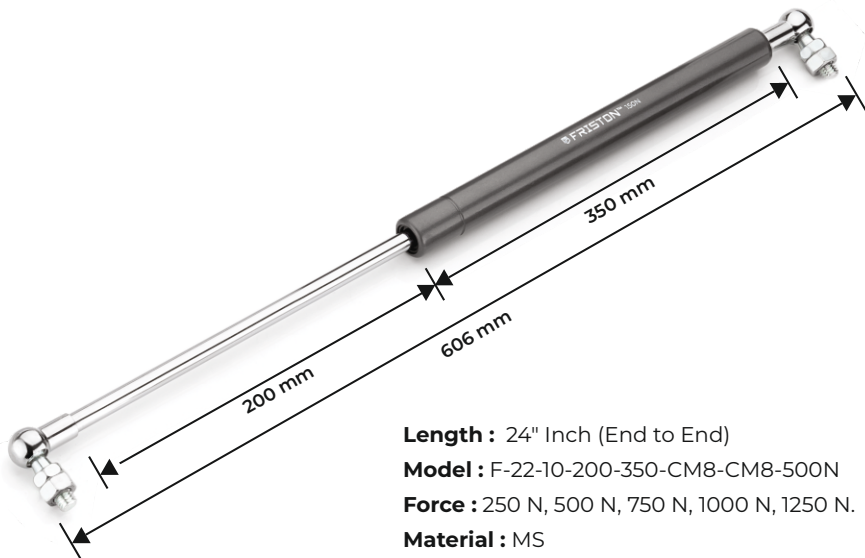
**Length :** 17" Inch (End to End)  
**Model :** F-22-10-160-212-DM8-DM8-500N  
**Force :** 250 N, 500 N, 750 N, 1000 N, 1250 N.  
**Material :** MS  
**Specification :** 22 mm Diameter Tube  
 10 mm Diameter Rod



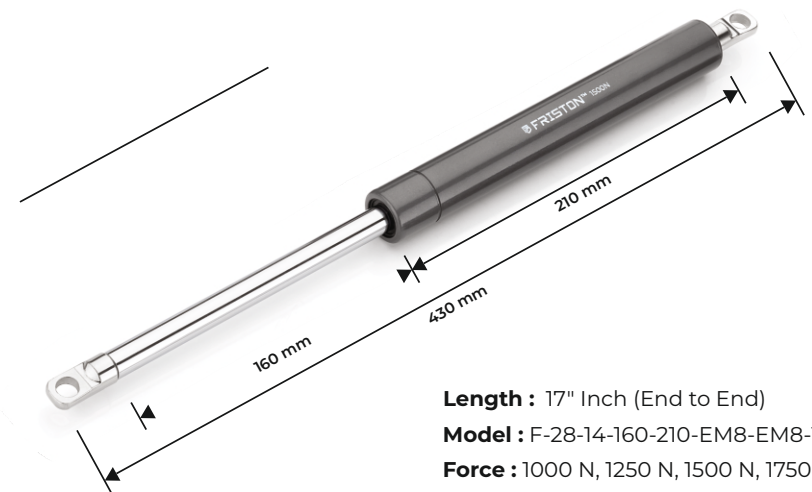
**Length :** 18" Inch (End to End)  
**Model :** F-22-10-175-225-CM8-CM8-500N  
**Force :** 250 N, 500 N, 750 N, 1000 N, 1250 N.  
**Material :** MS  
**Specification :** 22 mm Diameter Tube  
 10 mm Diameter Rod



**Length :** 14" Inch (End to End)  
**Model :** F-28-14-120-175-EM8-EM8-1500N  
**Force :** 750 N, 1000 N, 1250 N, 1500, 1750 N, 2000 N.  
**Material :** MS  
**Specification :** 28 mm Diameter Tube  
 14 mm Diameter Rod



**Length :** 24" Inch (End to End)  
**Model :** F-22-10-200-350-CM8-CM8-500N  
**Force :** 250 N, 500 N, 750 N, 1000 N, 1250 N.  
**Material :** MS  
**Specification :** 22 mm Diameter Tube  
 10 mm Diameter Rod



**Length :** 17" Inch (End to End)  
**Model :** F-28-14-160-210-EM8-EM8-1500N  
**Force :** 1000 N, 1250 N, 1500 N, 1750 N,  
 2000 N, 2250 N, 2500 N.  
**Material :** MS  
**Specification :** 28 mm Diameter Tube  
 14 mm Diameter Rod





**Gas Springs Designed**  
To Match Your Exact Requirements